

- Back**
- o PushPull Power
  - o Flat Cable Connectors SEK
  - o *har-mik®*
  - o D-Sub
  - o InduCom

---

- **Applications**

---

## Product details

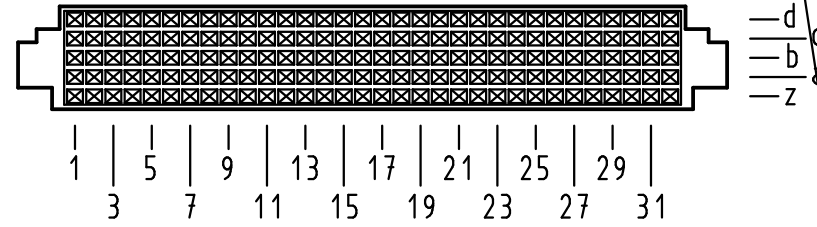
---

### **02 04 160 1101** **Printed board connector**

Type	har-bus 64 inverse
Standard/Inverse	Inverse
Contact gender	Female contacts
Size	Whole size
Number of contacts	160 poles
Contact arrangement	Rows z, a, b, c and d
Termination	Angled solder pins
Termination length	2,9 mm
Performance Class	Performance level 1 as per IEC 60603-2
Contacts	with contacts
Row pitch	2.54 mm
Board fixing	Without fixing
Current	1 A
Clearance/ Creepage	0.8(0.6) / 0.8(0.6) mm
RoHS compliant	Yes

**Inquiry**

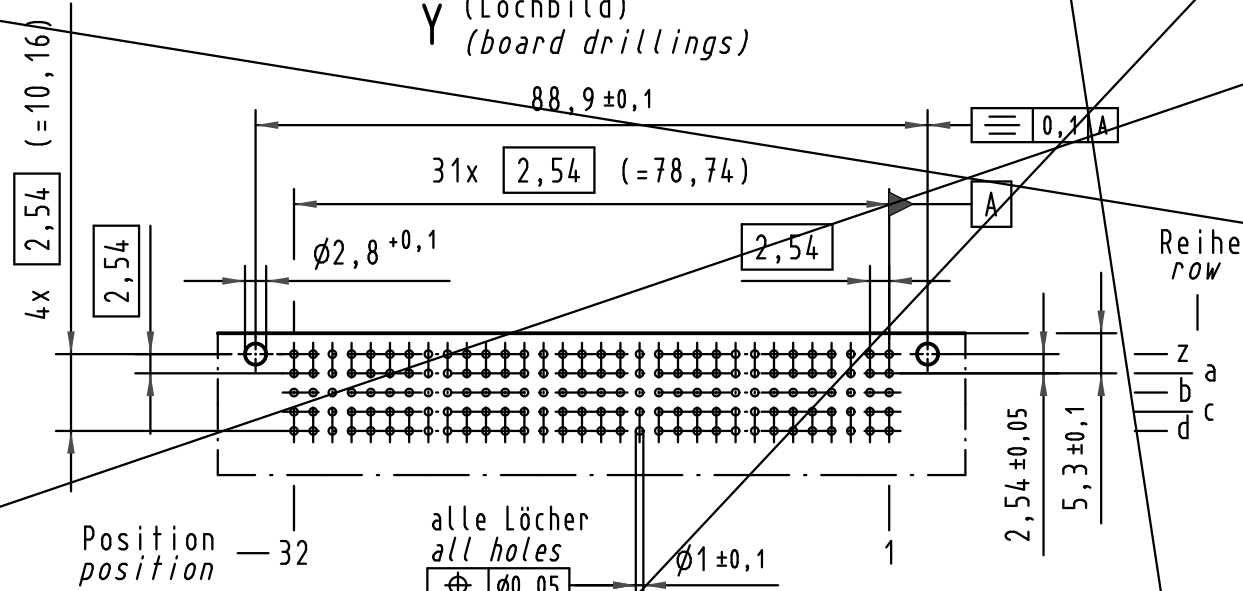
X  
Kontaktanordnung  
contact arrangement



160 Signal Kontakte  
160 signal contacts

- ☒ = Kontaktposition belegt  
= position with contact
- = Kontaktposition nicht belegt  
= position without contact

Y (Lochbild)  
(board drillings)



Mitte Befestigungsbohrung  
centre line of mounting hole

Reihe  
row

a  
b  
c  
d

Position  
position

alle Löcher  
all holes

84,8 ± 0,2

φ2,5 ± 0,1

Z

88,9 ± 0,1

93,8 ± 0,1

2,9 ± 0,1

6,4 ± 0,1

4 x 2,54 (=10,16)

2,54

32 — Position  
position

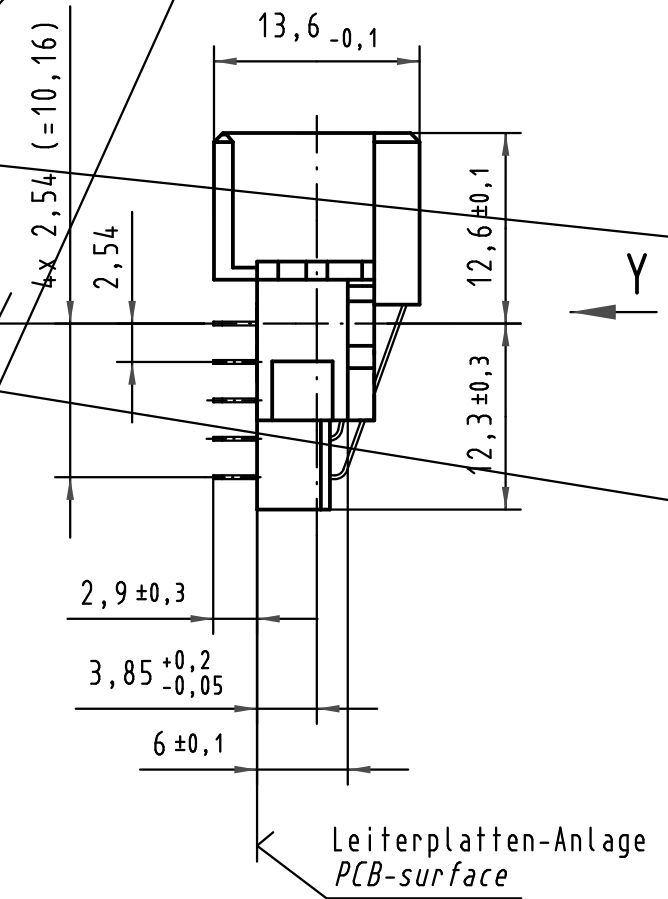
a  
b  
c  
d

Reihe  
row

2,54

31 x 2,54 (=78,74)

Z  
2:1



Leiterplatten-Anlage  
PCB-surface

-	-	-
02 04 160 1101	1	Au über/over Ni
Bestell-Nr. part-No.	Anforderungsstufe nach IEC performance level acc. to IEC	Kontaktoberfläche contact plating

ergänzend/complementary IEC 61076-4-113

ergänzend/complementary IEC 61076-4-113

17.03.97 Hl.  
17.03.97 Pa.

1:1  
(2:1)

Einlöt 160 pol.  
solder 160 pol.

31166 02.08.02 Hl.  
29422 16.03.01 Rie.  
21917 25.09.98 Hl.  
20654

02 04 160 x101